

DESTONE 500 is designed to separate fruit and berry pulp from the stone and press the pulp into mash for further processing.

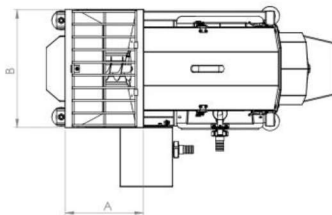
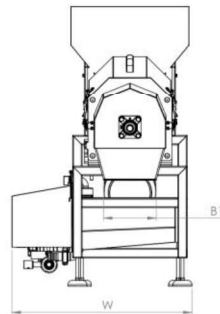
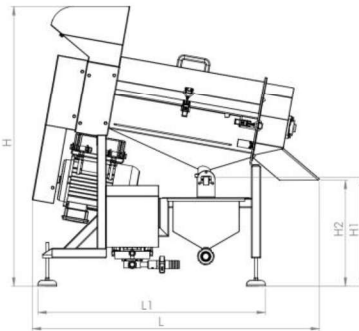
The inside of a destoning pulping machine consists of a screw, that is mounted in the middle, and sieve, that is attached to the sides of the machine. After the fruits or berries are loaded into the destoning and pulping machine, the screw fastly rotates the product and this way presses it through the sieve. This way machine presses clear fruit or berry puree through the sieve. Stones, seeds and peel leave the machine through a special outlet. The puree comes out of machine through a separate outlet.




- For further processing and thinner puree, the pulping process can be repeated with another sieve. Puree can be further loaded into the pneumatic press, belt press or rotational filter.
- The machine comes with one integrated sieve. A client can order additional sieves according to his needs.
- Destoning & pulping machine functions automatically.
- Machine is easy to clean with no closed or inaccessible spaces, all parts are easy to assemble.
- The machine is entirely made of stainless steel and has pivoting wheels.
- The belt press includes a high-pressure washer, which continuously washes the belt of the machine. Our belt washing system is simple, does not contain any engines or reducers, so it prolongs the use time and saves the

Available sieve options:

- With 0,6-2 mm holes – for pressing puree from berries with small seeds or for repetitive pulping process of already destoned pulp.
- With 3 mm holes – to get a puree from crushed pome fruits, such as apples, pears, guavas, etc.
- With 3 or 5 mm holes – for cherries and small plums.
- With 8 mm holes – for bigger plums, apricots, peaches.
- With 10 mm holes – for mangoes and similar fruits.



	Machine	Fruit and Berry pulp separate from the stone and press the pulp into mash for further processing
	Type	DESTONE 500

Output	kg/h	500
L	mm	1216
L1	mm	964
W	mm	762
H	mm	1187
H1	mm	463
H2	mm	449
AxB	mm	330x498
B1	mm	223
Dry weight	kg	140
Supply source	kW	4.4
Supply voltage	V	3/N/PE ~ 400 V 50HZ

DESTONE 1000 is designed to separate fruit and berry pulp from the stone and press the pulp into mash for further processing.

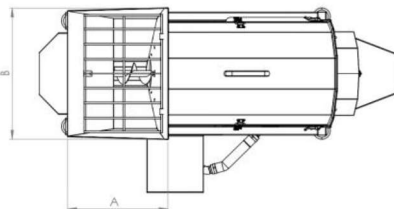
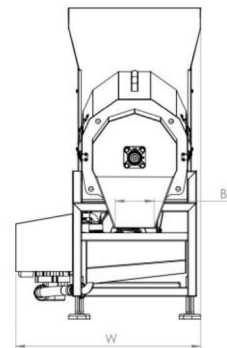
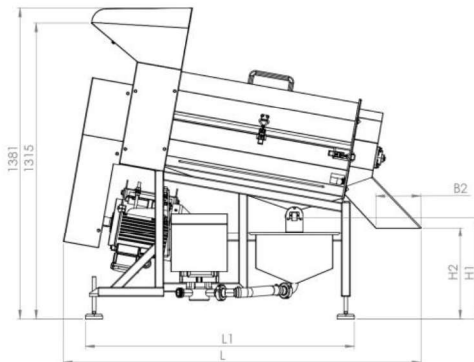
The inside of a destoning pulping machine consists of a screw, that is mounted in the middle, and sieve, that is attached to the sides of the machine. After the fruits or berries are loaded into the destoning and pulping machine, the screw fastly rotates the product and this way presses it through the sieve. This way machine presses clear fruit or berry puree through the sieve. Stones, seeds and peel leave the machine through a special outlet. The puree comes out of machine through a separate outlet.




- For further processing and thinner puree, the pulping process can be repeated with another sieve. Puree can be further loaded into the pneumatic press, belt press or rotational filter.
- The machine comes with one integrated sieve. A client can order additional sieves according to his needs.
- Destoning & pulping machine functions automatically.
- Machine is easy to clean with no closed or inaccessible spaces, all parts are easy to assemble.
- The machine is entirely made of stainless steel and has pivoting wheels.
- The belt press includes a high-pressure washer, which continuously washes the belt of the machine. Our belt washing system is simple, does not contain any engines or reducers, so it prolongs the use time and saves the

Available sieve options:

- With 0,6-2 mm holes – for pressing puree from berries with small seeds or for repetitive pulping process of already destoned pulp.
- With 3 mm holes – to get a puree from crushed pome fruits, such as apples, pears, guavas, etc.
- With 3 or 5 mm holes – for cherries and small plums.
- With 8 mm holes – for bigger plums, apricots, peaches.
- With 10 mm holes – for mangoes and similar fruits.



	Machine	Fruit and Berry pulp separate from the stone and press the pulp into mash for further processing
	Type	DESTONE 1000

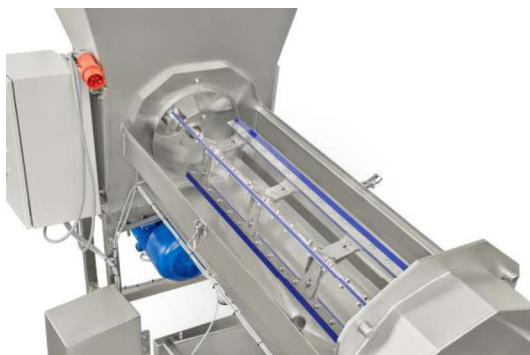
Output	kg/h	1000
L	mm	1588
L1	mm	1194
W	mm	822
H	mm	1381
H1	mm	454
H2	mm	408
H3	mm	1315
Ax8	mm	445x585
B1	mm	174
B2	mm	200
Dry weight	kg	220
Supply source	kW	5,9
Supply voltage	V	3/N/PE ~ 400 V 50Hz

DESTONE 2000 is designed to separate fruit and berry pulp from the stone and press the pulp into mash for further processing.

The inside of a destoning pulping machine consists of a screw, that is mounted in the middle, and sieve, that is attached to the sides of the machine. After the fruits or berries are loaded into the destoning and pulping machine, the screw fastly rotates the product and this way presses it through the sieve. This way machine presses clear fruit or berry puree through the sieve. Stones, seeds and peel leave the machine through a special outlet. The puree comes out of machine through a separate outlet.

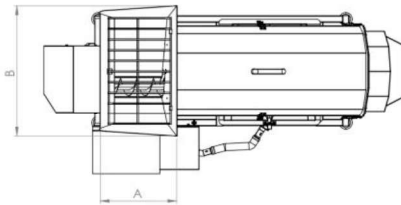
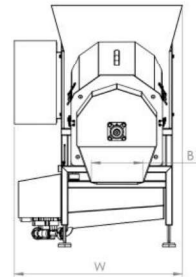
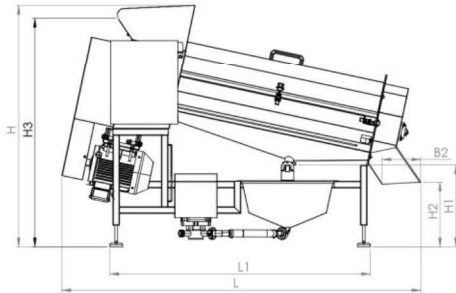



- For further processing and thinner puree, the pulping process can be repeated with another sieve. Puree can be further loaded into the pneumatic press, belt press or rotational filter.
- The machine comes with one integrated sieve. A client can order additional sieves according to his needs.
- Destoning & pulping machine functions automatically.
- Machine is easy to clean with no closed or inaccessible spaces, all parts are easy to assemble.
- The machine is entirely made of stainless steel and has pivoting wheels.
- The belt press includes a high-pressure washer, which continuously washes the belt of the machine. Our belt washing system is simple, does not contain any engines or reducers, so it prolongs the use time and saves the



Available sieve options:

- With 0,6-2 mm holes – for pressing puree from berries with small seeds or for repetitive pulping process of already destoned pulp.
- With 3 mm holes – to get a puree from crushed pome fruits, such as apples, pears, guavas, etc.
- With 3 or 5 mm holes – for cherries and small plums.
- With 8 mm holes – for bigger plums, apricots, peaches.
- With 10 mm holes – for mangoes and similar fruits.



	Machine	Fruit and Berry pulp separate from the stone and press the pulp into mash for further processing
	Type	DESTONE 2000

Output	kg/h	2000
L	mm	2132
L1	mm	1546
W	mm	997
H	mm	1435
H1	mm	485
H2	mm	384
H3	mm	1359
AxB	mm	554x710
B1	mm	304
B2	mm	230
Dry weight	kg	320
Supply source	kW	7.9
Supply voltage	V	3/N/PE - 400 V 50Hz