

MAXIFLOW provides fully automatic filling process for webbed Bag in Box bags. After inserting the first bag, machine removes the cap, fills the liquid and caps the bag. Then it releases the filled bag and takes another one for filling. This way the filling process continues, and operator only needs to take the filled bag out of machine.

To fill separate Bag in Box or Pouch bags, insert a package into the filler and press START button – machine automatically removes the tap, vacuums the bag, fills it with liquid and closes the bag.

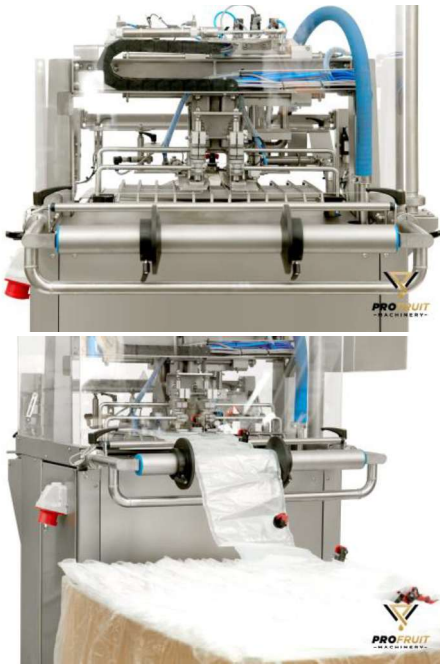
Capacity:

3l	550 bags per hour (~1700 l/h)
5l	500 bags per hour (~2500 l/h)
10l	380 bags per hour (~3800 l/h)
20l	200 bags per hour (~4000 l/h)

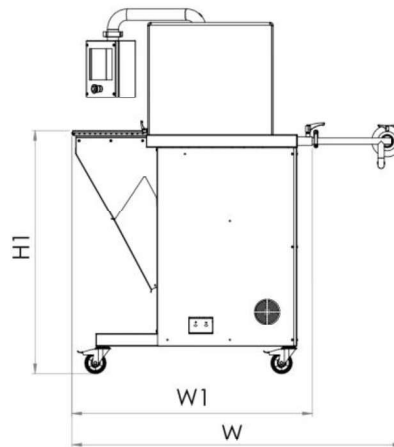
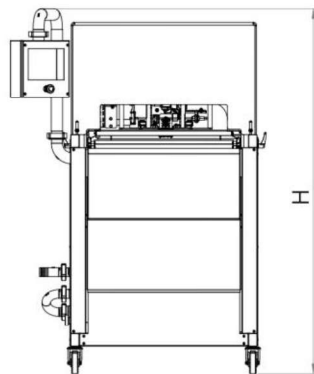


- Perfect for filling various liquids: from juice, wine, milk to broth, oil, soap, etc.
- Easy-to-use mechanism does all the work automatically. In addition to that, bags can be supplied to machine manually (separate bags or pouches) or automatically (bags in web).
- Suitable for both hot and cold fillings.
- Machine fills Bag in Box bags in sizes 1–30 L, Stand up Pouch packages in sizes 0,75–5 L.
- Machine fills packages with tap closure. It is also possible to fill packages with different closures on request.
- Laser safety mechanism protects limbs by automatically stopping & cancelling the filling process in case of an accident.
- Machine is made from stainless steel materials (AISI 304).

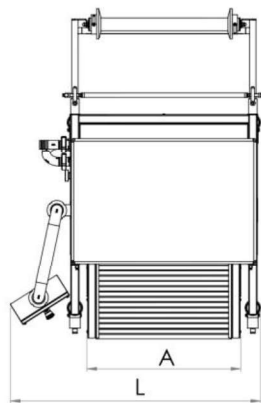




- Touch-screen control panel and multi-language menu grant easier work.
- The error of repeatability of volumes is only $\pm 0,3 \%$.
- An additional filling table is possible, which slides beneath the main table for filling bags of bigger volume (from 20 to 30 L).
- The filler is easy to clean after work with external and CIP cleaning.
- The working surface of the table consists of conveyor rollers which are exceptionally easy to clean.
- All parts have IP 65 water protection.



Capacity	l/h	2000
L	mm	1181
W	mm	1562
W1	mm	1135
H	mm	1722
H1	mm	1150
A	mm	727
Dry weight	kg	220
Supply source	kW	1.5
Supply voltage	V	3/N/PE ~ 400 V 50Hz



	Machine	Automatic Bag in Box Filler
	Type	MAXIFLOW

