

Fruit Washer Elevator is designed to wash and transport various fruits and vegetables before further processing.

Machine does not have a mill.



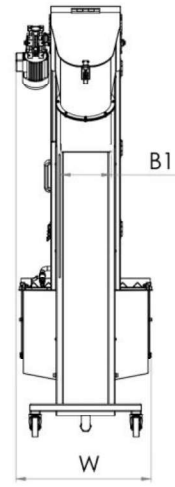
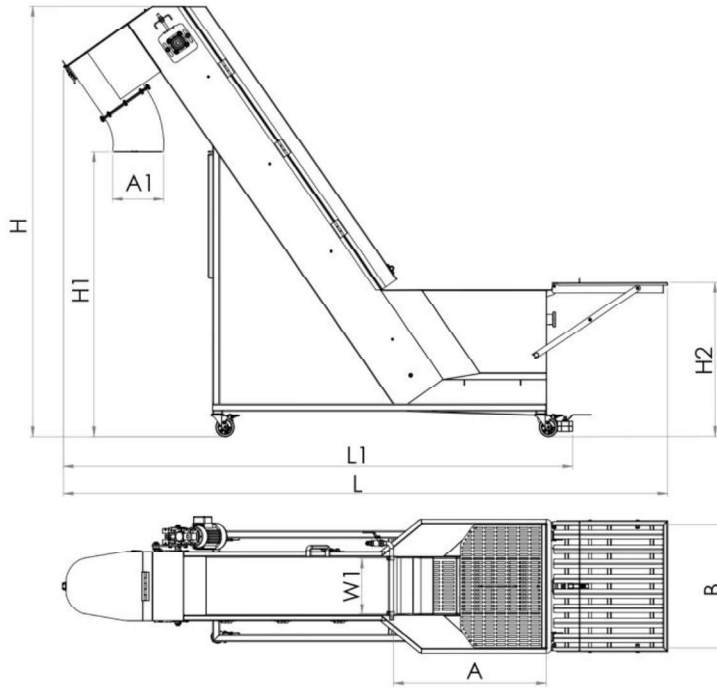
Firstly, the operator of the machine pours fruits and vegetables into the washing tub with clean water.

Then conveyor lifts the products up to the outlet which transfers the products to further processing (destoning-pulping or other). During the lifting process, water nozzles spray the fruits and vegetables with clean water.

Capacity – 3000 kg/h.



- Fruit washer elevator has an additional table in front of the basin for putting fruits or boxes on it. It facilitates the process of pouring the products into the basin.
- V form washing basin helps fruits and vegetables move directly to the conveyor, therefore less fruit stay in the basin.
- Integrated water-spraying system provides additional washing when lifting the fruits up the conveyor.
- Belt conveyor has a water drainage and speed regulation system.
- The speed of the belt conveyor is adjustable in the control panel.
- Machine does not have a mill, so it is perfect for using it together with [Destoning pulping machine](#).
- Machine is entirely made of stainless steel.



	Machine	Fruit and vegetable washer-elevator
	Type	Maximill 3000

Output	kg/h	3000
L	mm	3260
L1	mm	2750
W	mm	730
W1	mm	300
H	mm	2300
H1	mm	1535
H2	mm	795
AxB	mm	880x670
A1xB1	mm	∅273
Dry weight	kg	220
Supply source	kW	0.6
Supply voltage	V	3/N/PE ~ 400 V 50Hz